

Name:

ANSWERS!

Class:



Communication



Successful Partnership



Encouragement

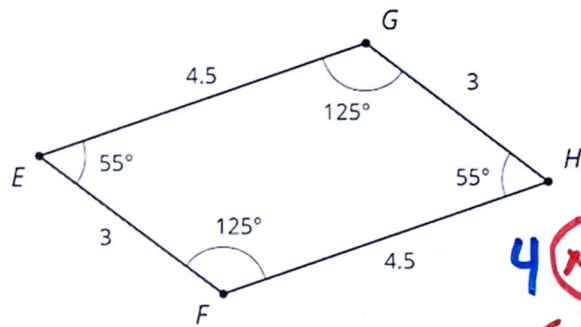
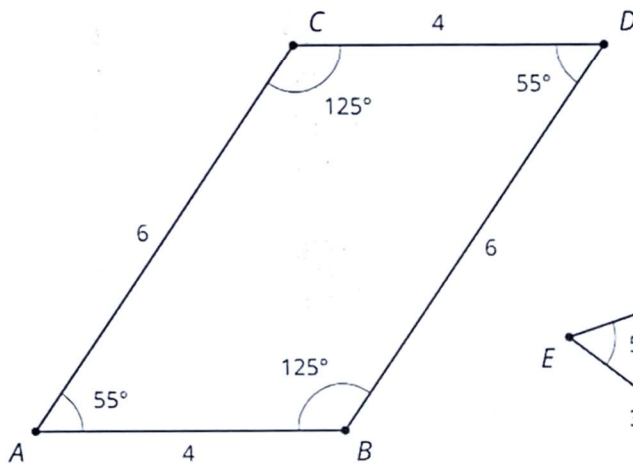


Solving Problem Together



Collaboration

Question 01



$$6 \times SF = 4.5$$

$$SF = 0.75$$

$$4 \times SF = 3$$

$$SF = 0.75$$

Are the figures above similar? Explain how you know!

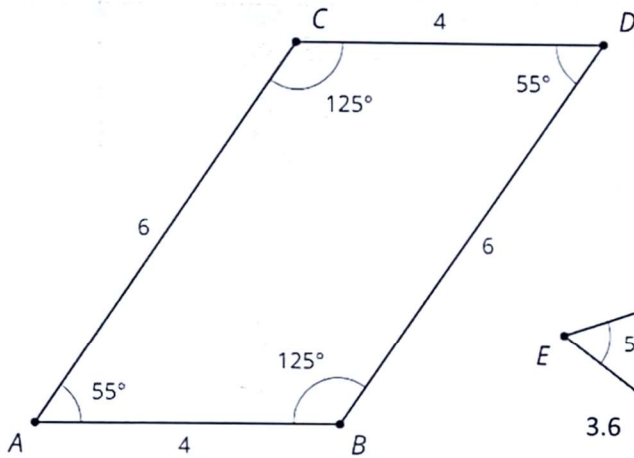
The figures are similar. $ABDC \sim EFHG$.

All the angles match. Both figures have angles of $55^\circ, 125^\circ, 55^\circ, 125^\circ$.

The sides are also in proportion.

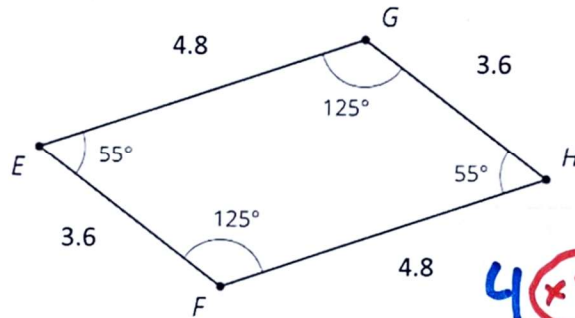
The longer sides of 6 times the scale factor of 0.75 equal 4.5. And the shorter sides of 4 times the same scale factor of 0.75 equal 3.

Question 02



$$6 \times SF = 4.8$$

$$SF = 0.8$$



$$4 \times SF = 3.6$$

$$SF = 0.9$$

Are the figures above similar? Explain how you know!

The figures are not similar.

All the angles match. Both figures have angles of 55° , 125° , 55° , 125° .

However, the sides are not in proportion. The longer sides of 6 times the scale factor of 0.8 equal 4.8. On the other hand, the shorter sides of 4 times the scale factor of 0.9 equal 3.6.